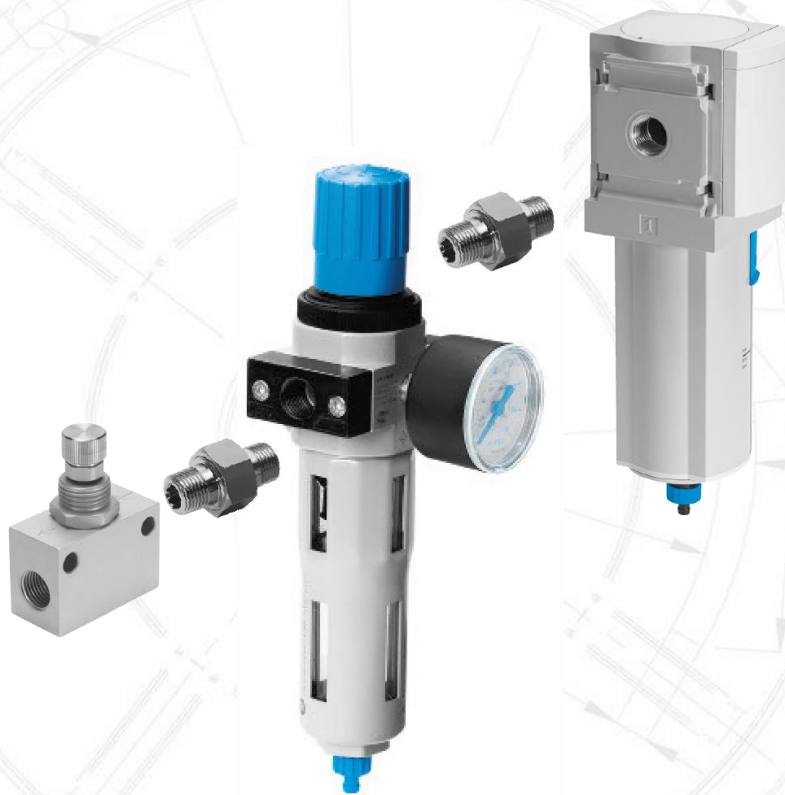


New standard of air treatment system

Tapflo is proud to announce that since February 1st 2016 air treatment set is provided with FESTO equipment.

Air treatment system is a basic air-line set of equipment that increases the lifetime and ensures proper operation of Tapflo AODD pumps. FESTO has become Tapflo's standard supplier of the air treatment equipment to ensure high quality with competitive price.



DID YOU KNOW?

Air quality

Recommended by Tapflo air quality according to PN-ISO8573-1:2010 is 6:7:4 (particles class 6, water class 7 and oil class 4). FESTO filter-regulator provides air quality class 6:4:4.

ATEX compliance

Standard FESTO air treatment set is not designed to be used in explosion hazardous environments, however ATEX compliant versions are available on request. For more information, contact us.

1. Air treatment system components

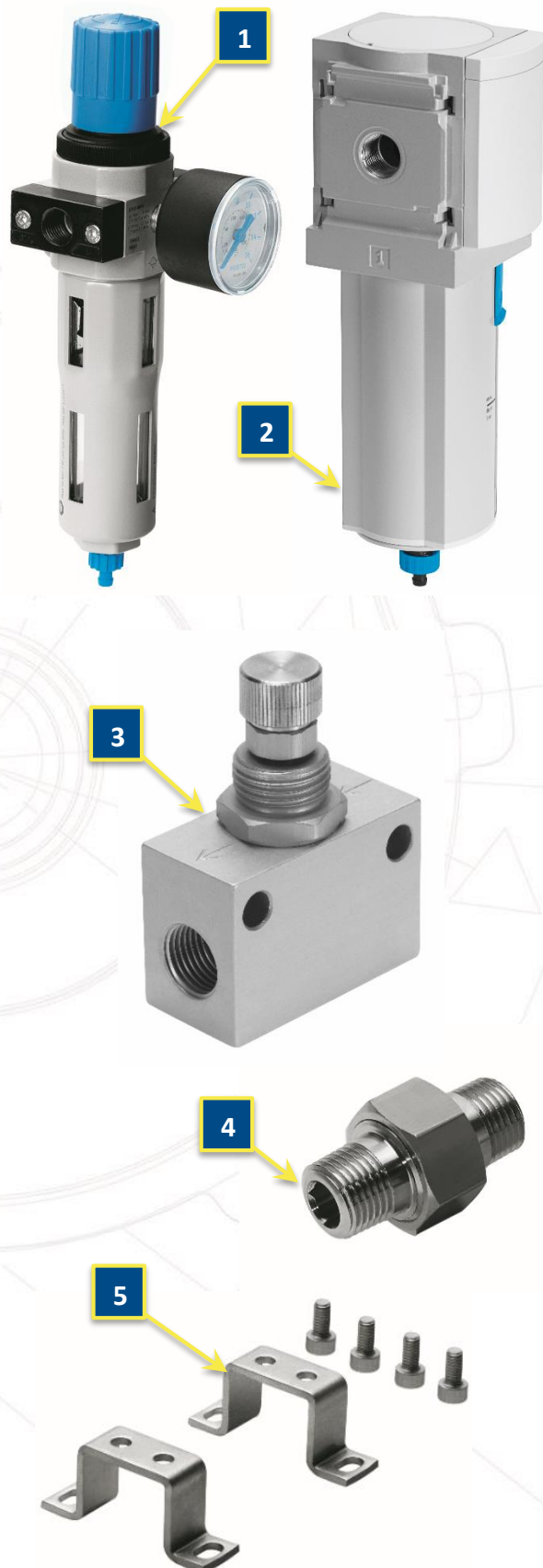
Filter-regulator [1] & water separator [2]- air leaving an installation can be dirty and wet – which can damage or shorten the life of the AODD pump „heart“ – air valve. An air-line filter [1] cleans compressed air. It strains the air and traps solid particles (dust, dirt, rust) while water separator [2] separates liquids (water, oil) contained in the compressed air. The filter also traps the water but only initially, if air is heavily damped it is recommended to use a water separator. Separators and filters are installed in the air line before regulators, needle valves and air driven devices such as air valve. By regulating the air pressure you can easily achieve requested head perfectly matched with the application. FESTO Air regulators provide quick response and accurate pressure regulation.

Note! Do not regulate the pump speed by regulating air pressure.

Needle valve [3]: Once the air is filtrated and correct pressure is set up, you just need to adjust exact speed of the pump to achieve requested duty point. The only right way to control the speed of the pump is NOT to change the air pressure but to control the air volume.

Note! Unlike centrifugal pumps, in AODD pumps with pressure regulator and needle valve you can obtain any duty point under the performance curve.

Connector [4] & Mounting bracket [5]: Since our goal is to provide complete solution, Tapflo prepared a set of additional equipment required for filter-regulator to work and to be fixed.



2. Ordering

➤ Air treatment system

Tapflo article number	Connection size	Description
6-050-0F	1/8"	Non-return needle valve + connector
6-200-0F	1/4"	
6-400-0F	3/8"	
6-800-0F	1/2"	
6-050-1F	1/8"	Filter-regulator with manometer + mounting bracket
6-200-1F	1/4"	
6-400-1F	3/8"	
6-800-1F	1/2"	
6-050-2F	1/4"	Water separator
6-200-2F	1/4"	
6-400-2F	3/8"	
6-800-2F	1/2"	
6-050-001F	1/8"	Filter-regulator with manometer + mounting bracket + non-return needle valve + connector
6-200-001F	1/4"	
6-400-001F	3/8"	
6-800-001F	1/2"	
6-050-002F	1/8"	Filter-regulator with manometer + mounting bracket + non-return needle valve + connector (x2) + reduction + water separator
6-200-002F	1/4"	
6-400-002F	3/8"	Filter-regulator with manometer + mounting bracket + non-return needle valve + connector (x2) + water separator
6-800-002F	1/2"	

NOTE! Festo water separator series starts with connection size of 1/4", therefore set 6-050-002F is additionally equipped with reduction, whereby set ends with 1/8".

➤ The above products are suitable for following pumps:

6-**050**-0/1/2/001/002F → **T20, T50,T70,T80, TX94, T100,T120,T125, TX144**

6-**200**-0/1/2/001/002F → **T200, T220, T225, TX244**

6-**400**-0/1/2/001/002F → **T400, T420, T425**

6-**800**-0/1/2/001/002F → **T800, T820, T820**

3. Built-on air treatment system

- **Build-on air system:** *If you decide to order a pump with air treatment system build onto, please use **-11SFR** in the pump code, e.g. TX120 ANN-11SFR*
- **Stainless steel air treatment mounting plate:** *If you already have the air treatment system, yet you decide to acquire mounting plate, order part number 6-xxx-**1175**, where xxx – pump size.*

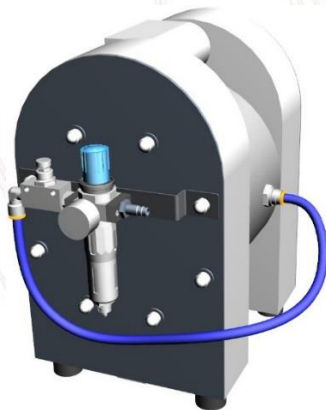
Build-on air system applies to

- Plastic pumps (PE, PEAST, PTFE, PTFE AST) sizes T20-T800
- Metal pumps (Cast iron, ALU, AISI 316L) sizes T25-T820
- Sanitary pumps (AISI 316L) sizes T30-T425

Materials and finishing

- Holders are one-piece, bended, made of AISI 316L, glass blasted.
- Air tubes made of PU (blue color), for ATEX certified pumps antistatic (black color).
Connections: AISI 316L, brass quick air connection.

Plastic series (non ATEX version)



Metal series (ATEX version)

